



---

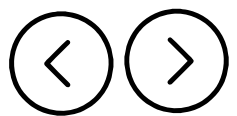
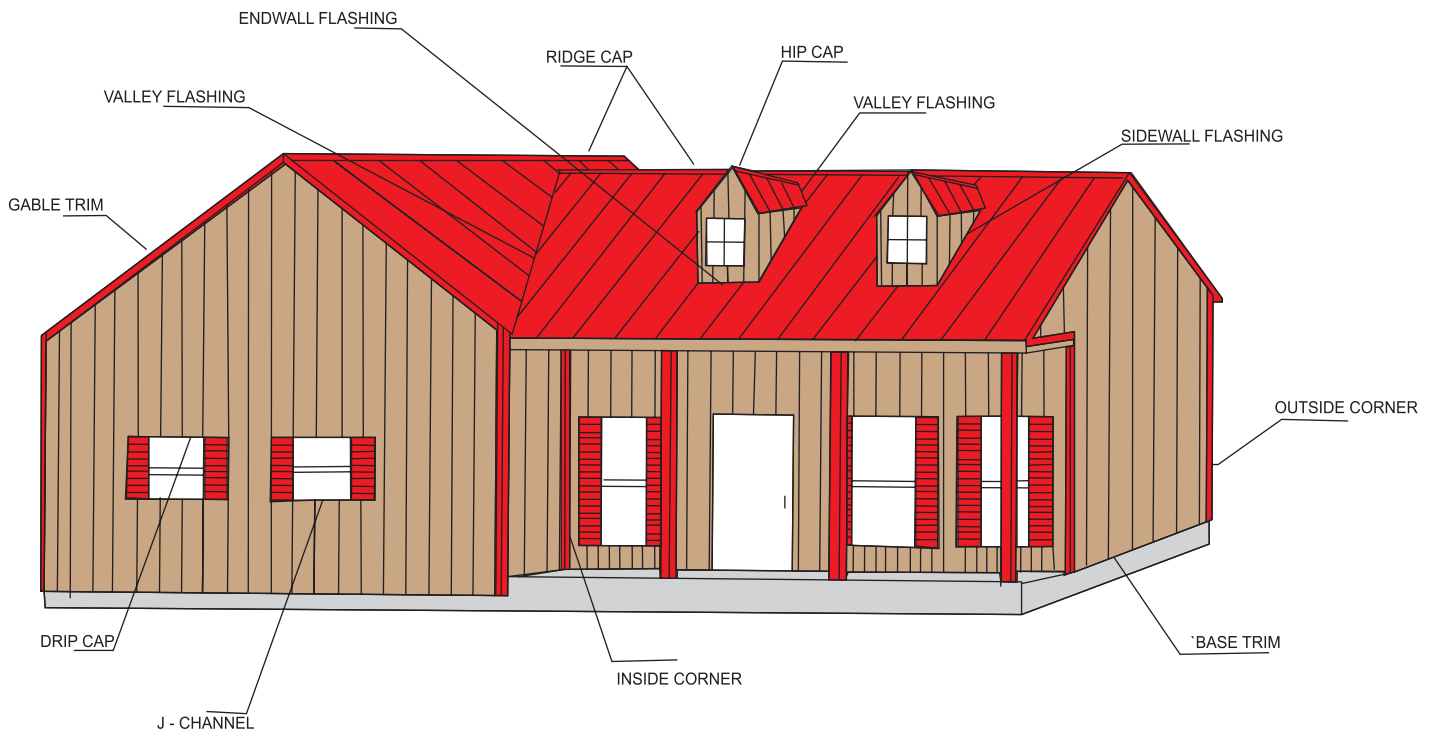
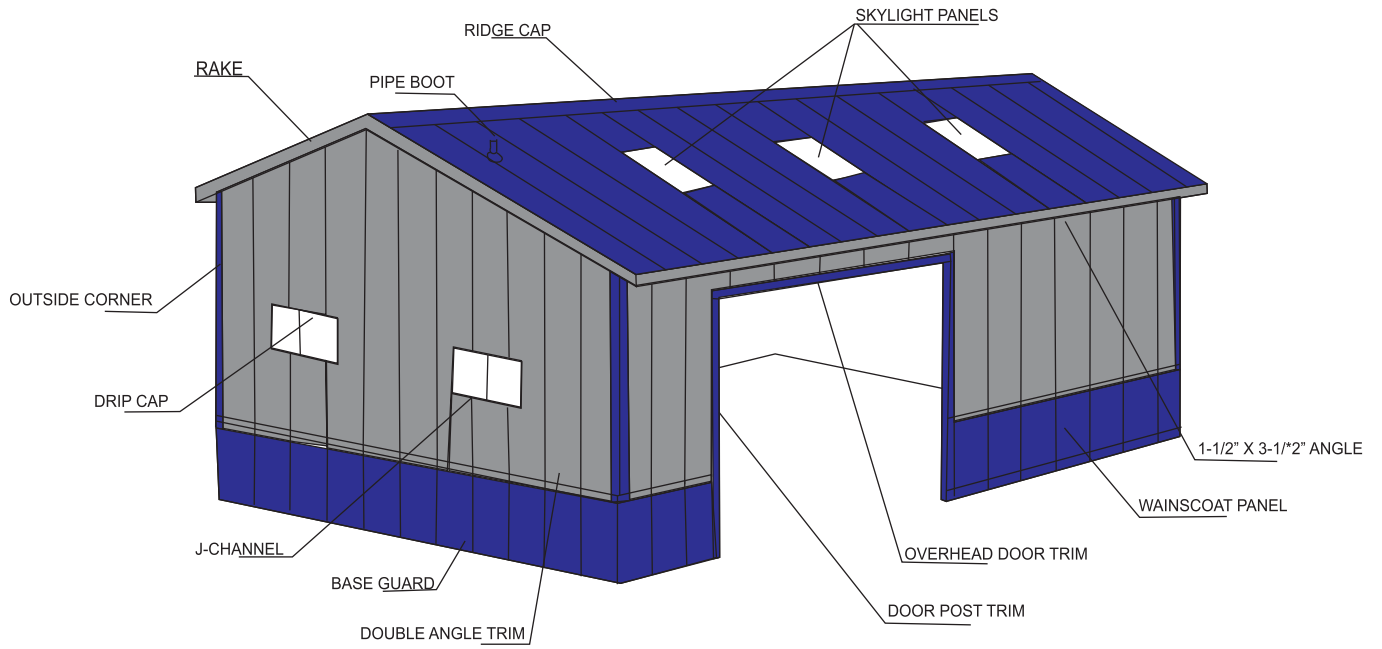
**METALS**

---

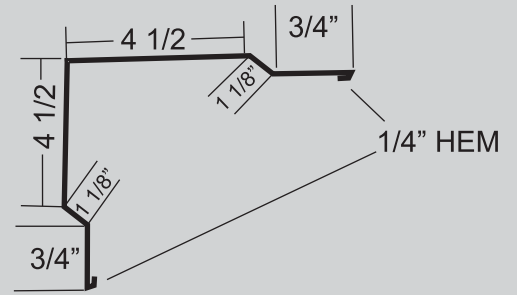
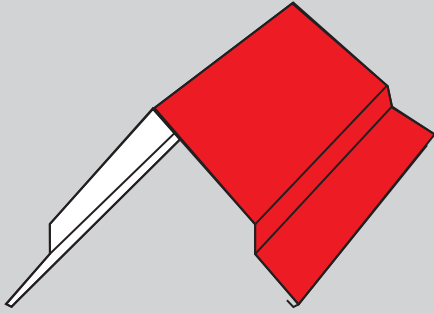
*[www.tinmanmetals.com](http://www.tinmanmetals.com)*

## 29 Gauge Standard Trim Catalog



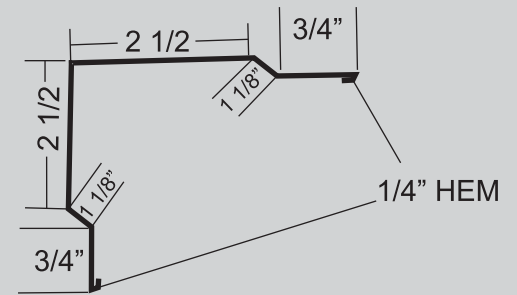
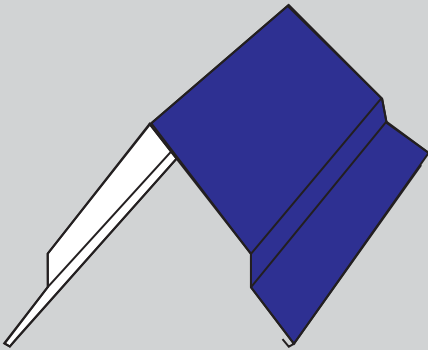


## OUTSIDE CORNER/RAKE



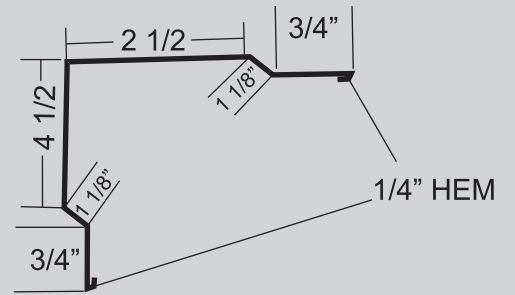
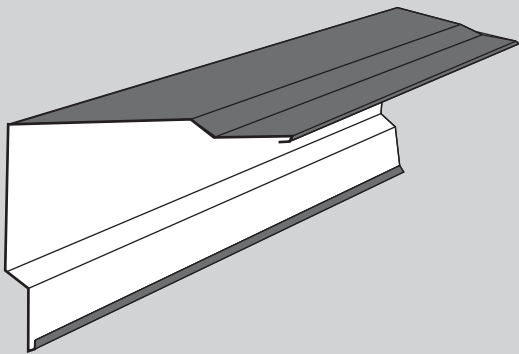
Available in: 10', 12', 14', 16'

## NARROW OUTSIDE CORNER/RAKE



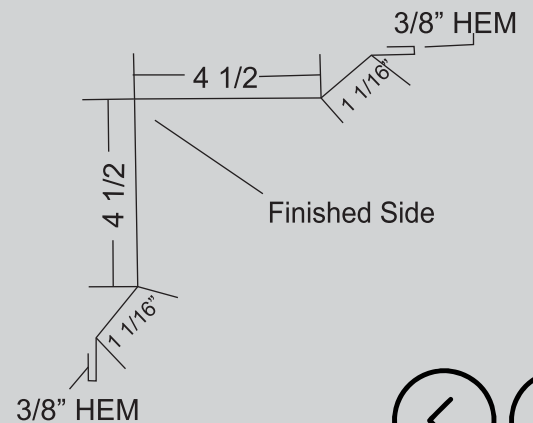
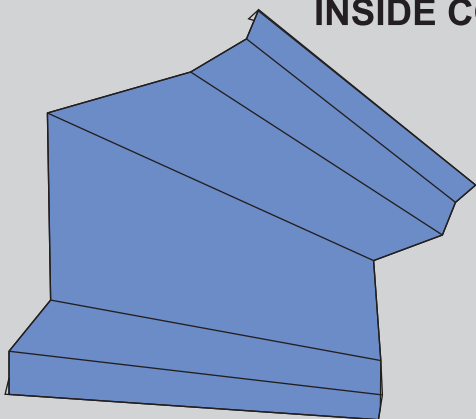
Available in: 10', 12', 14', 16'

## COMBO CORNER

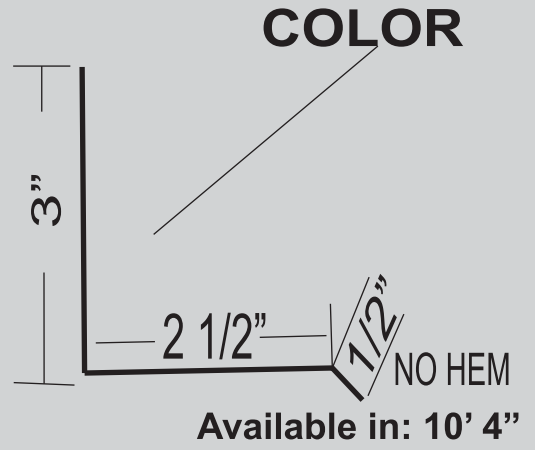
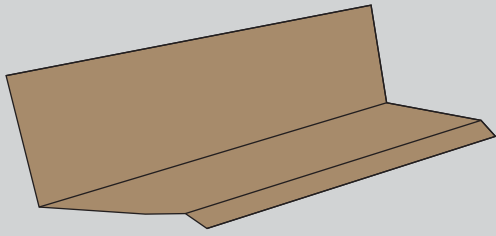


STANDARD LENGTH 10' 4"

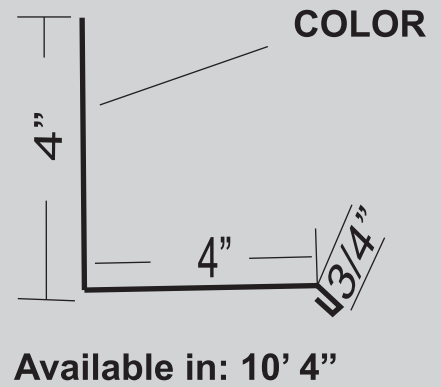
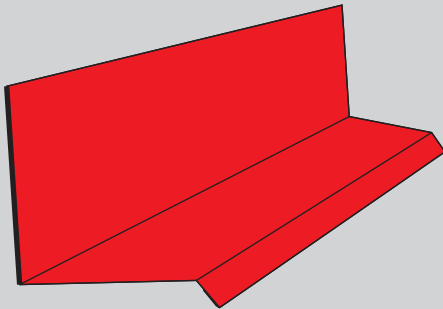
## INSIDE CORNER



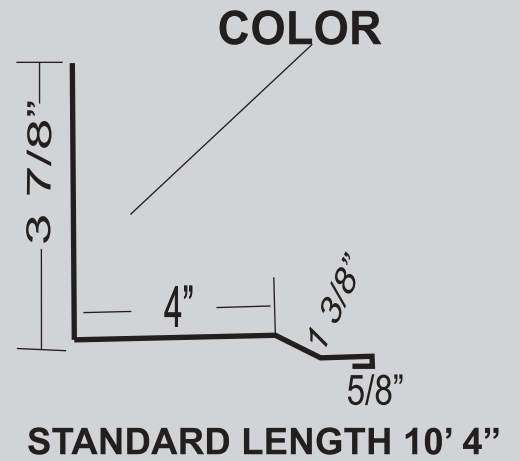
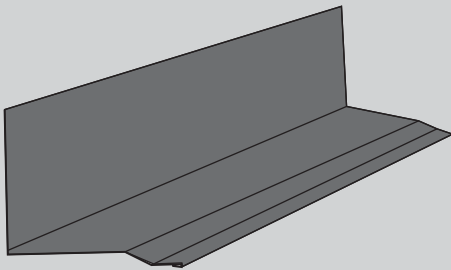
### SIDE WALL FLASHING



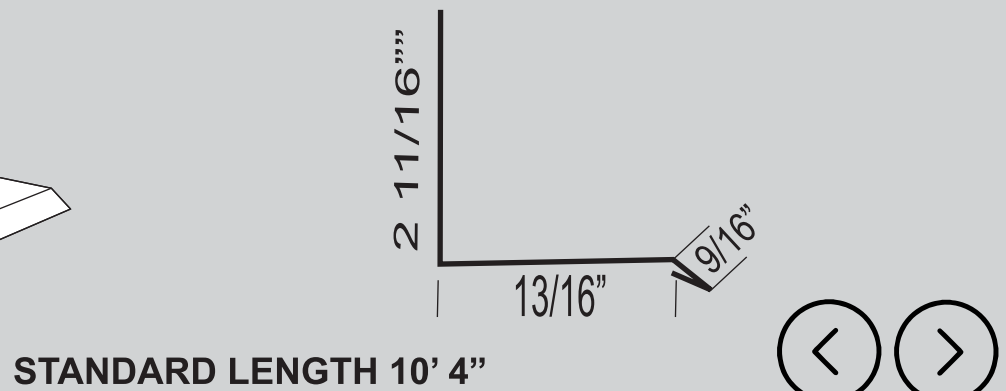
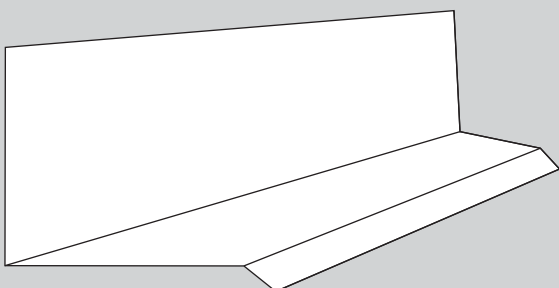
### 4" SIDE WALL FLASHING



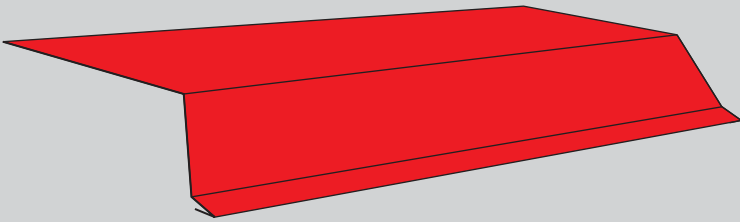
### GABLE TRIM



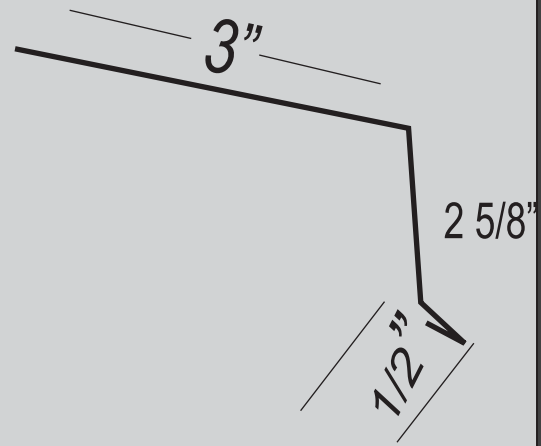
### FASCIA



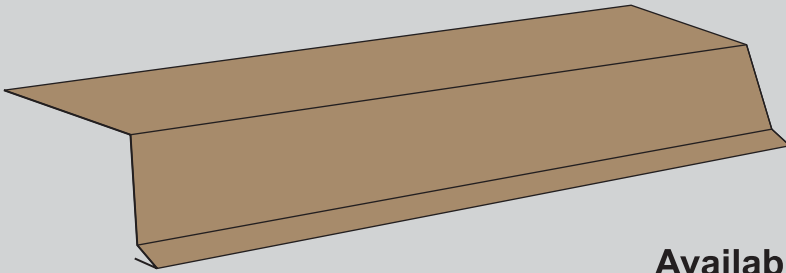
**EAVE DRIP 2.5"**



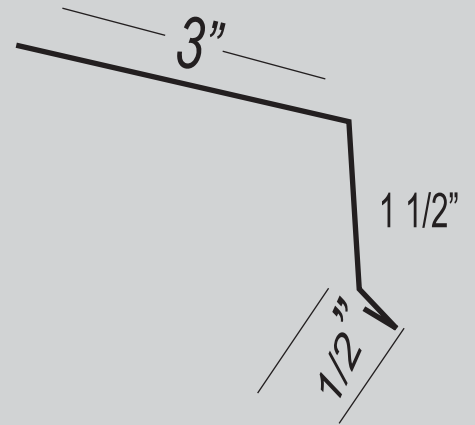
**Standard length: 10' 4"**



**HOUSE 1.5" EAVE DRIP**

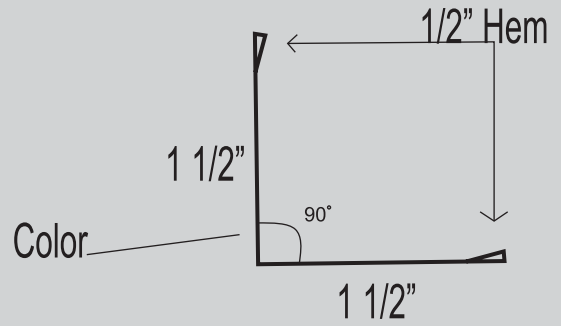
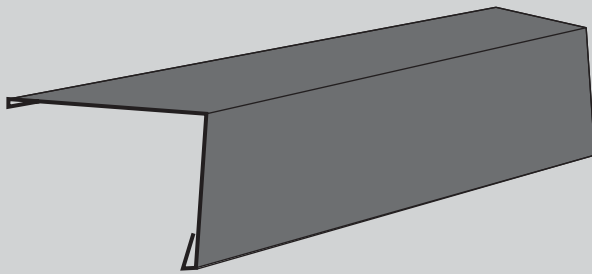


**Available in: 10' 4"**



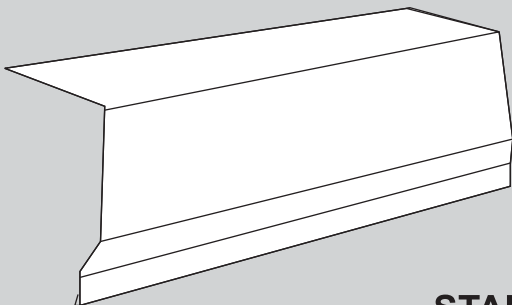
**1.5 x 1.5 ANGLE**

**COLOR**

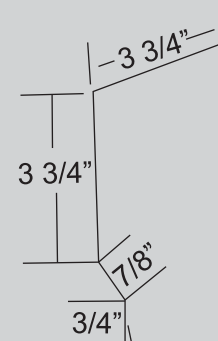


**STANDARD LENGTH 10' 4"**

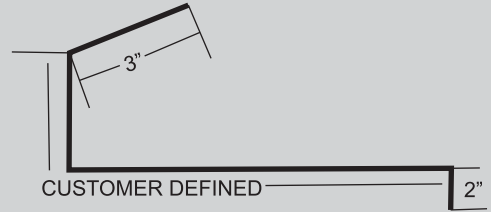
**FASCIA EAVE TRIM**



**STANDARD LENGTH 10' 4"**

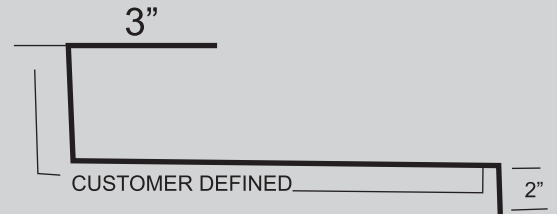
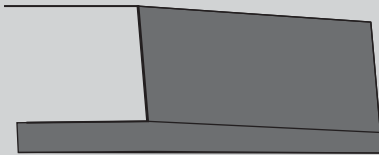


### CUSTOM EAVE SOFFIT



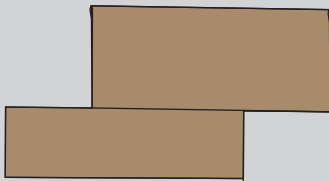
Standard length: 10' 4"

### CUSTOM GABLE SOFFIT



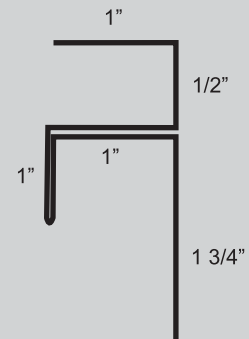
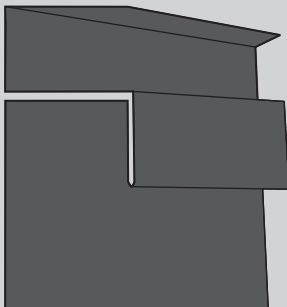
Available in: 10' 4"

### UNIVERSAL SOFFIT



STANDARD LENGTH 10' 4"

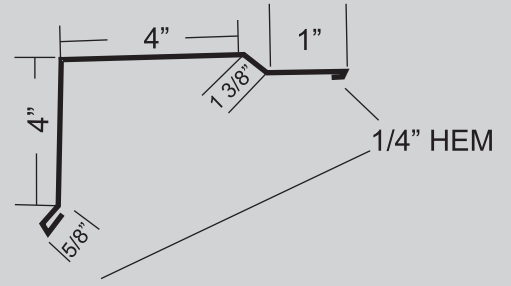
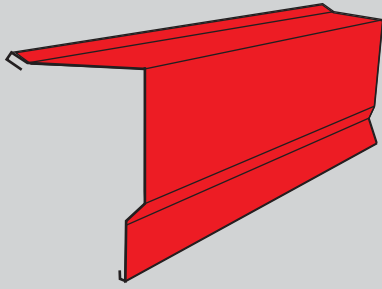
### F & J TRIM



AVAILABLE LENGTH 10' 12' AND CUSTOM LENGTH

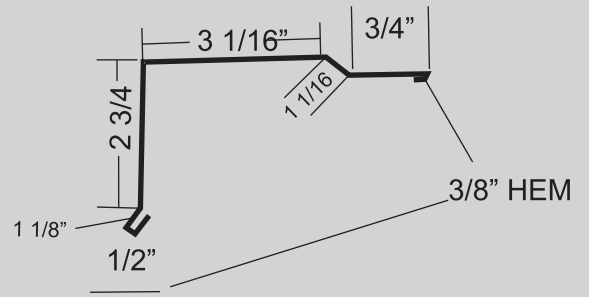
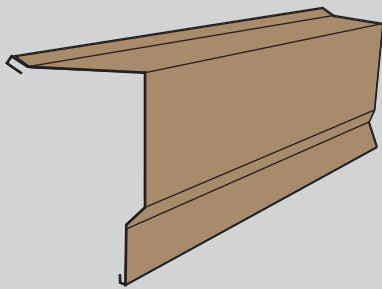


### OUTSIDE CORNER/RAKE



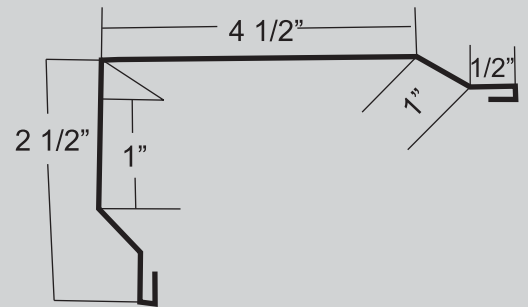
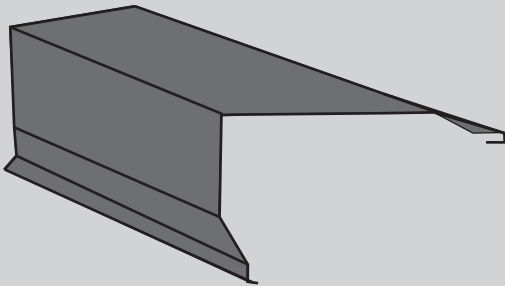
Available in: 10', 12', 14', 16'

### RESIDENTIAL GABLE/RAKE



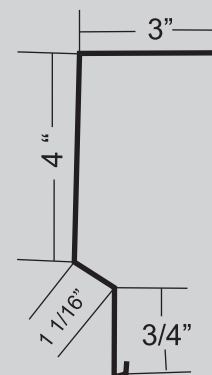
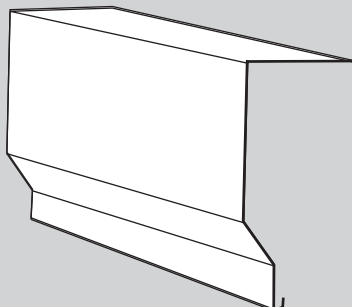
Available in: 10' 4"

### GABLE TRIM



STANDARD LENGTH 10' 4"

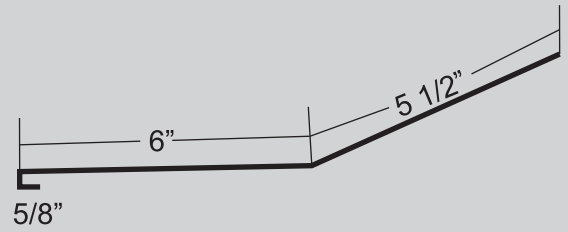
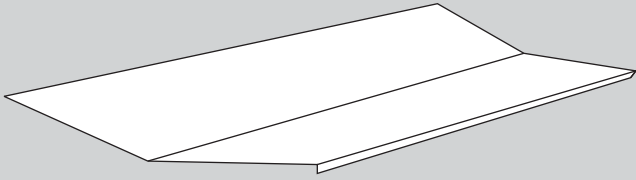
### FASCIA



STANDARD LENGTH 10' 4"

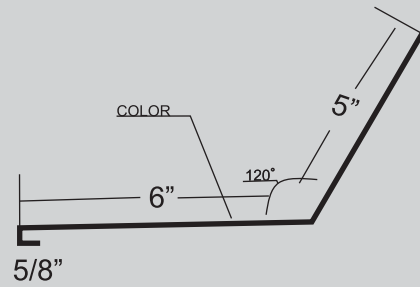
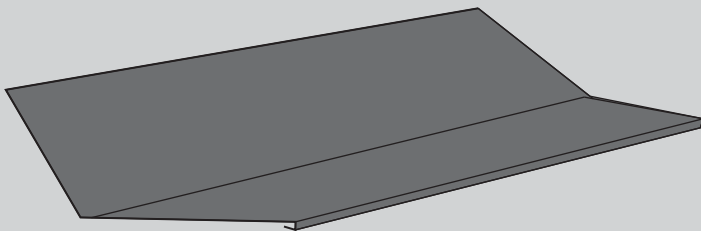


## TRANSITION FLASHING



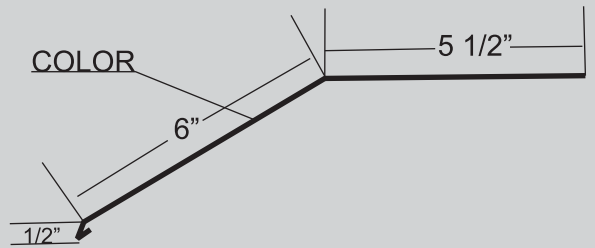
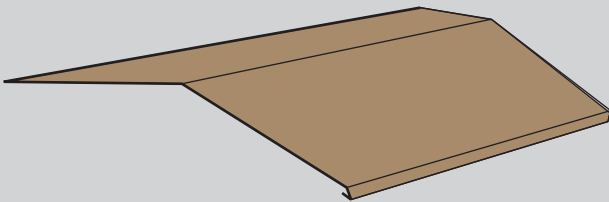
Standard length: 10' 4"

## END WALL FLASHING



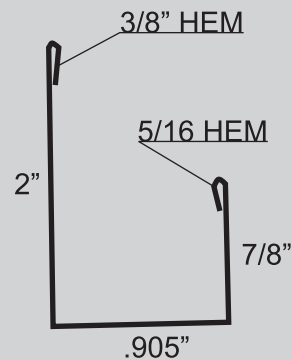
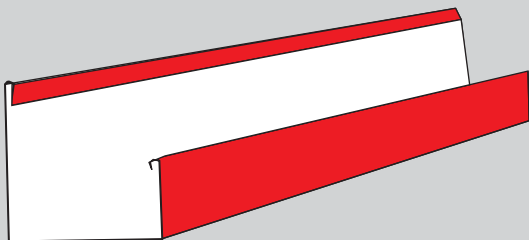
Available in: 10' 4"

## GAMBREL FLASHING



STANDARD LENGTH 10' 4"

## J - CHANNEL

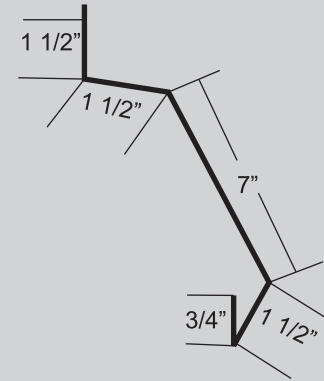
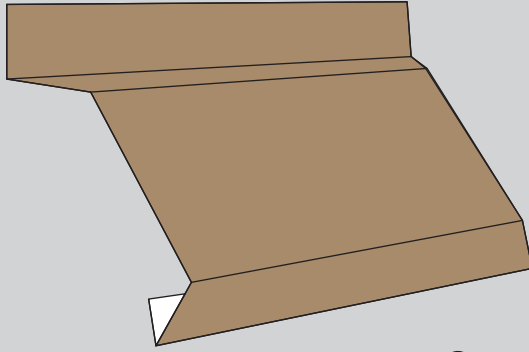


AVAILABLE LENGTH 10' 12' AND CUSTOM LENGTH



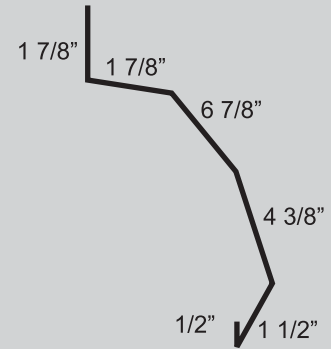
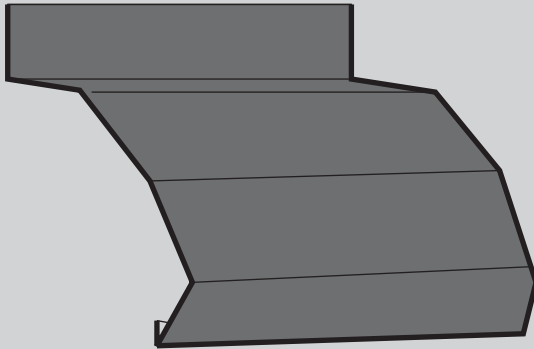


### DOOR TRACK COVER



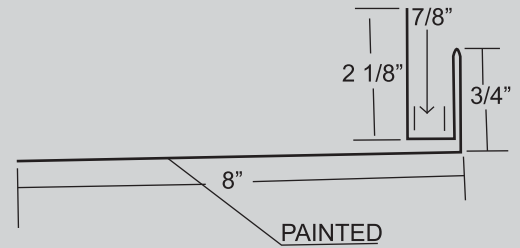
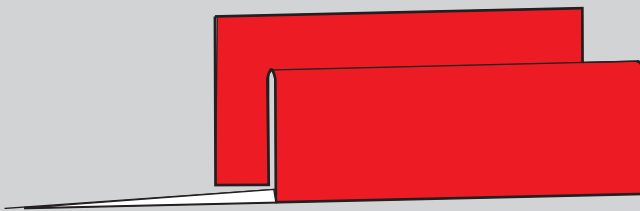
Standard length: 10' 4"

### DOUBLE DOOR TRACK COVER



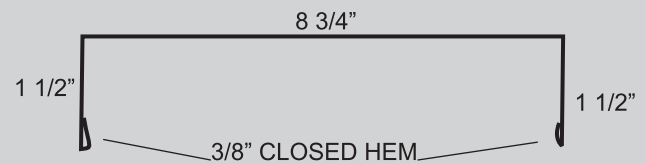
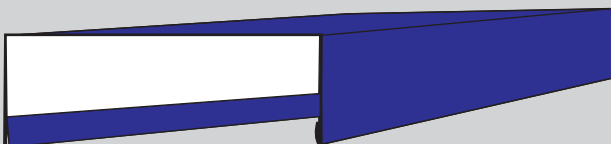
Available in: 10' 4"

### OVERHEAD DOOR TRIM



STANDARD LENGTH 10' 4"

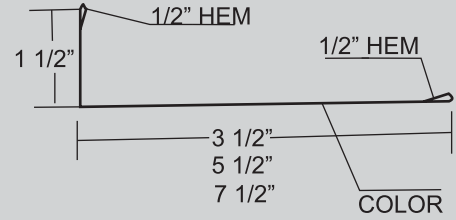
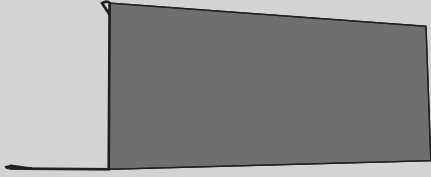
### DOOR POST TRIM



AVAILABLE LENGTH 10' 4

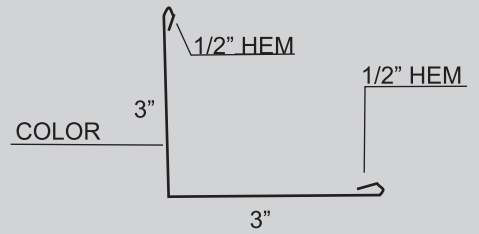
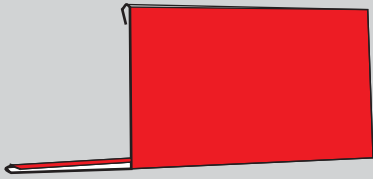


### 1.5" X 3.5" / 5.5" / 7.5" ANGLE



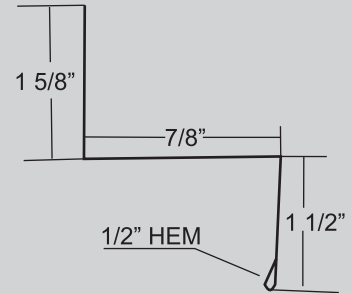
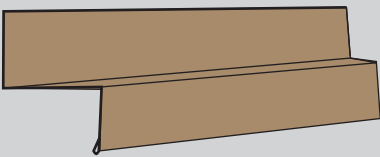
Standard length: 10' 4"

### 3" X 3" ANGLE



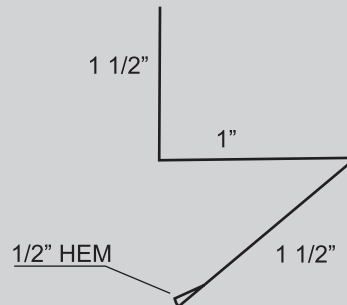
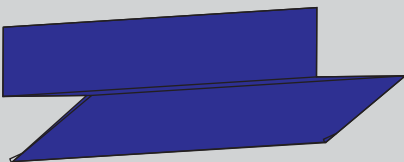
Available in: 10' 4"

### DOUBLE ANGLE FLASHING



STANDARD LENGTH 10' 4"

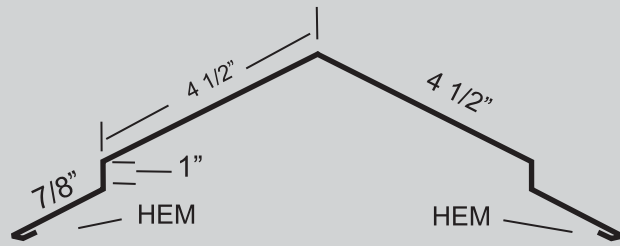
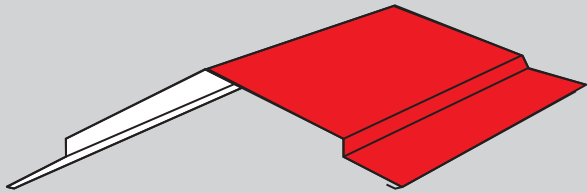
### J - CHANNEL



AVAILABLE LENGTH 10' 12' AND CUSTOM LENGTH

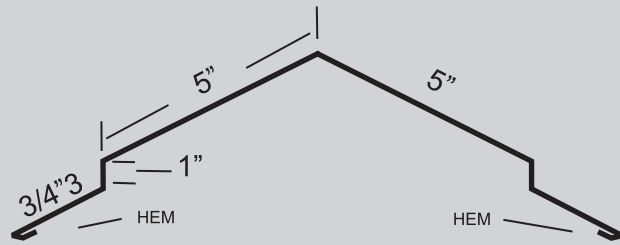
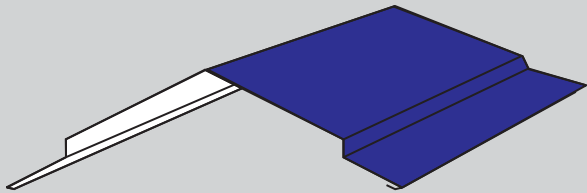


### UNIVERSAL RIDGE CAP



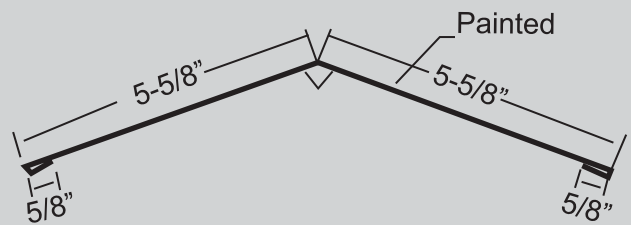
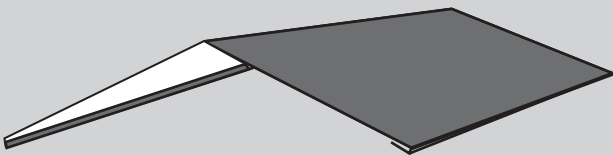
STANDARD LENGTH 10' 6"

### RIDGE CAP - 20" WIDE



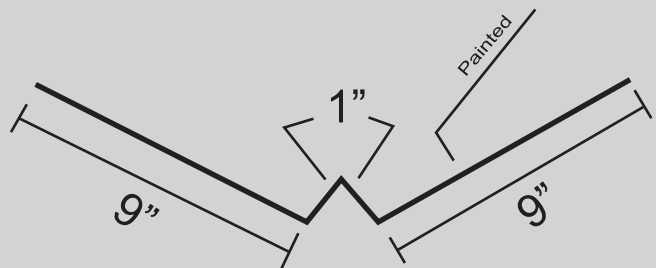
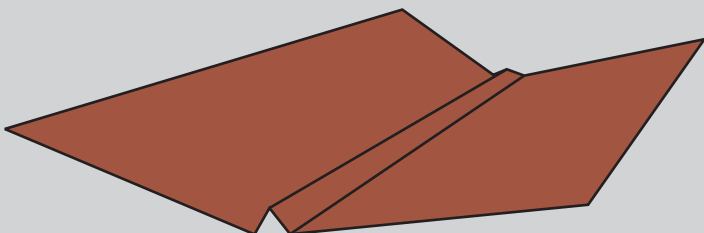
STANDARD LENGTH 10' 6"

### HIP CAP



STANDARD LENGTH 10' 4"

### PERFORMED VALLEY



STANDARD LENGTH 10' 4"

